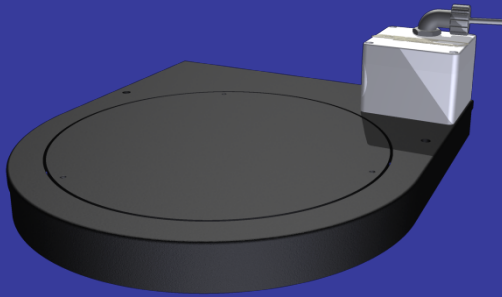


EDS-400

Electronic Drum Scale



Features

- Corrosion resistant PVC base
- Stainless steel hardware
- 5 year warranty
- 15" diameter weighing surface
- 400 lb. Capacity
- EI-1000 indicator included

EDS-400

Description

The Eagle Microsystems EDS-400 electronic drum scale is a great choice for a variety of weighing applications. It can be used with gas cylinders containing chlorine, sulfur dioxide, and carbon dioxide. The scale is also suitable for inventory tracking of dry chemicals in drums as its three lever weight transfer system makes the positioning and distribution of the weight a non-critical issue.

The scale is designed for the demanding environment of the water treatment industry as it is constructed from chemically resistant PVC and makes use of stainless steel hardware.

The scales electronic load cell is housed in a NEMA 4X enclosure mounted on the base which provides environmental protection for this critical component. The scale comes with 15 feet of load cell cable standard for connection of the scale base to the included EI-1000 indicator.

Your Source for Precision Process Solutions

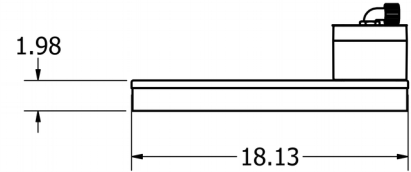
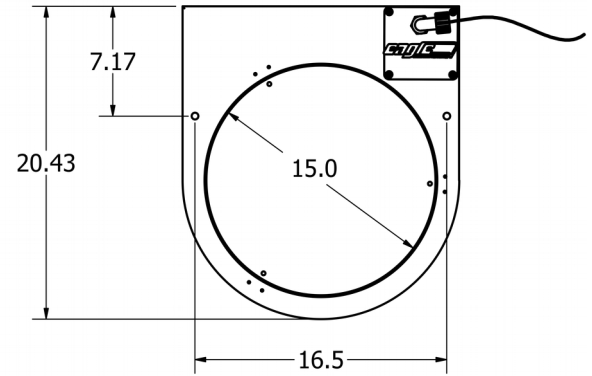


EDS-400

Electronic Drum Scale

The EDS-400 electronic scale uses a single stainless steel strain gauge load cell. The Scale electronics and load cell are housed in NEMA 4X enclosures ensuring the full-time integrity of the weighing system.

The EDS400 is supplied with 15 feet of connection cable with the option of more being supplied if needed. An EI-1000 digital weight indicator is also included(see EI-1000/2000 datasheet for more info).



EDS-400	
Full scale	400 lbs (181 kg)
System accuracy	0.25% Full Scale
Safe overload	600 lbs (273 kg)
Display resolution	0.1,0.2, 0.5, 1 lbs.
Display	6 digit red LED
Power required	110 or 220 Vac
Analog output	4-20 mA DC
Shipping weight	37 lbs
Cable	15 ft.

Indicator Options	
Digital output	Modbus RTU, Profibus
Dual alarm relays	3 A @250 Vac, 32 Vdc
Scale Options	
Bracket with chains	

