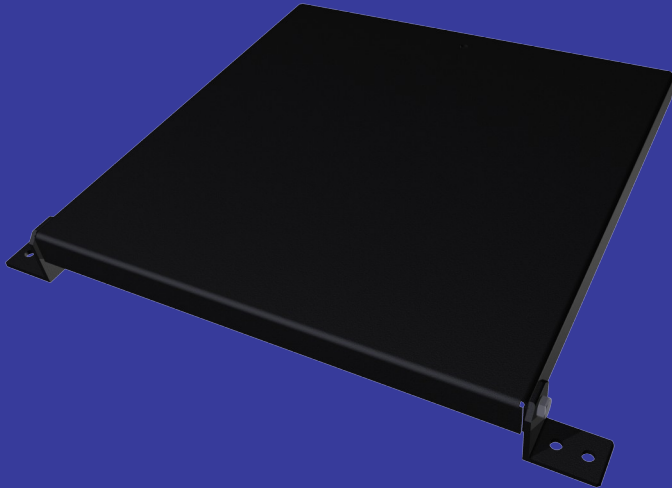


# LP-4310

## Economy Low Profile Scale



### Features

- Designed for water and wastewater Applications
- Single load cell design
- Low cost
- Low 3 inch platform height
- Floating ball-bearing leveling foot adjustable from top of platform
- Capacities up to 2000 pounds

LP-4310

### Description

Eagle Microsystems Economy weigh platforms provide a cost effective way to monitor liquid levels in barrels, carboys, day tanks and other containers. The LP-4310 is easy to install and maintain. Leveling is performed from the top of the scale with a screwdriver. The rugged steel weighing surface is protected by a textured Polane® finish. The load cell, leveling foot and hardware are stainless steel. Use with Eagle Microsystems digital display instruments such as the EI-1000.

#### Suggested applications:

- Day tanks
- Drum scales
- Carboy scales
- Tote scales
- Bulk Scale

Your Source for Precision Process Solutions

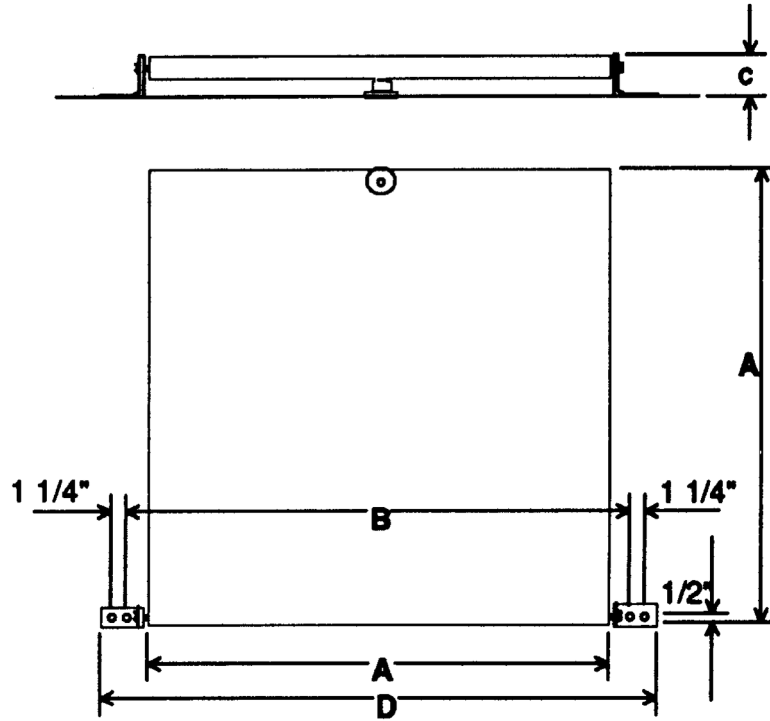


# LP-4310

## Economy Low Profile Scale

Specifications	
Accuracy	+/- 0.25% Full Scale
Safe Load	150% F.S.
Load Cells	S.S. Beam
Leveling Foot	S.S. Captive Ball
Hardware	Stainless Steel
Deck Material	C.R. Steel
Finish	Polyurethane Enamel
Cable	15 Feet

Options
Custom sizes
Stainless steel deck
Loading ramps
Epoxy coating
Barrel stops and tie downs
Custom vessel mounts
PVC deck cover for many sizes
NTEP approved load cells



Standard Sizes & Capacities					
Size	A Dim.	B Dim	C Dim	D Dim	Cap.
30 X 30	30"	32-1/4"	3"	36-1/4"	2000# max
36 X 36	36"	38-1/4"	3"	42-1/4"	2000# max
42 X 42	42"	44-1/8"	3"	48-1/4"	2000# max
48 X 48	48"	50-1/4"	3"	54-1/4"	2000# max

